

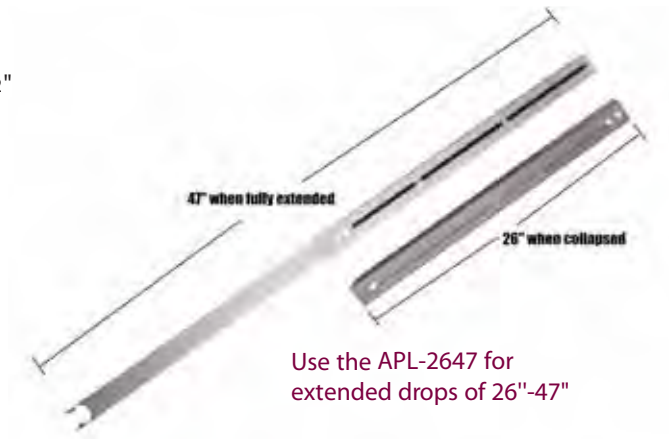
PBL

Projector Mount

Unique PBL universal mounts design can mate with an adjustable height-suspension adapter (APL-2647) to extend the length of the channel up to 47" from the ceiling. Cables can be routed inside the channel for a neat appearance. It fits most projectors up to 60 lbs. and features four double-jointed support arms that allow flexible positioning to reach any mounting point. Plus, it's backed by our industry-leading lifetime warranty.

- Fits projectors up to 60 lbs.
- +/- 20° tilt and roll
- 360° rotation
- Mounts to walls and traditional, vaulted, or cathedral ceilings
- Adjustable height channel extends from 9" - 12 1/2"
- Low-profile design (2 1/2" from ceiling)
- OSHPD tested (OPA-1636)
- Lifetime warranty
- Color: Black and White

Model	Max. Wt.
PBL-UMS	60 lbs. (27 kgs.)
PBL-UMW	60 lbs. (27 kgs.)
PP-CVR	



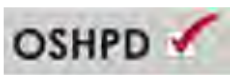
Use the APL-2647 for extended drops of 26"-47"



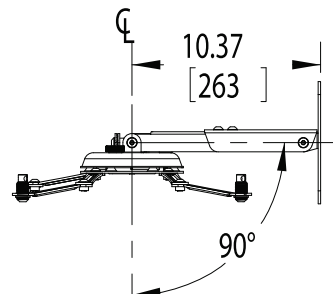
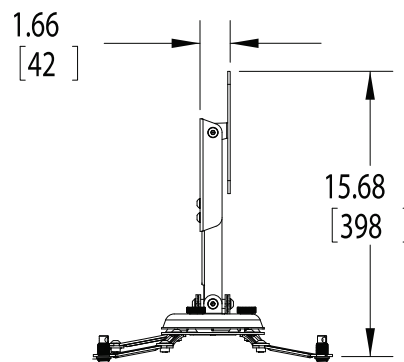
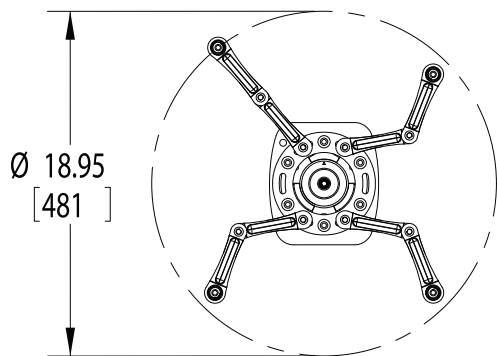
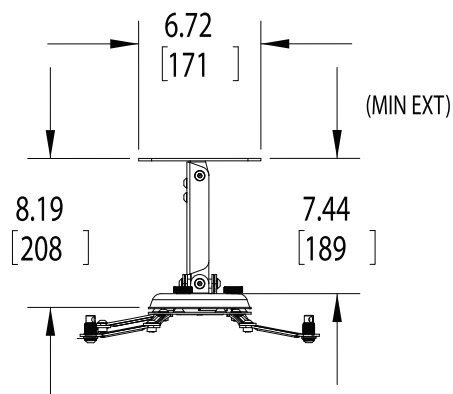
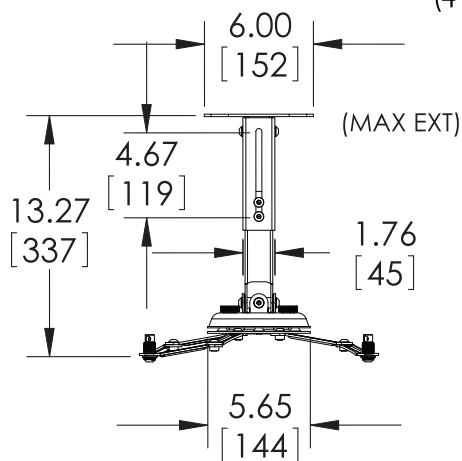
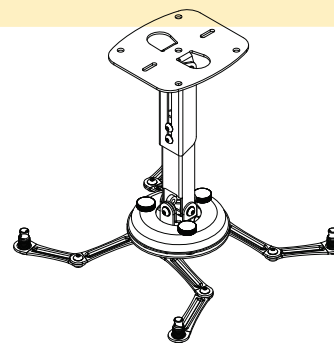
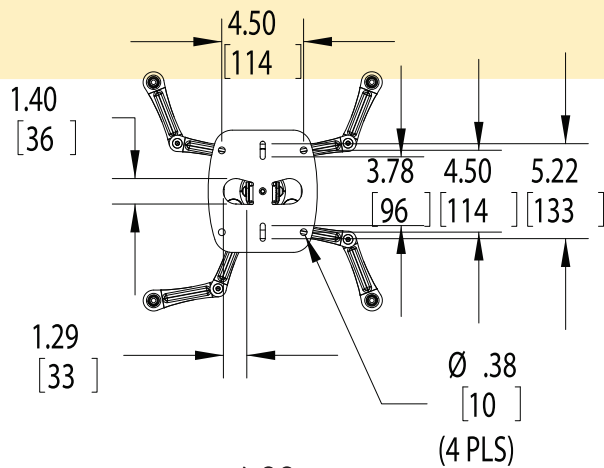
PBL-UMW shown with PP-CVR.



For added protection, add our PP-SEC security device



SPECIFICATIONS



Dimensions are in inches and millimeters [mm].
Drawings are subject to change without notice.

800.368.9700 | www.mounts.com

